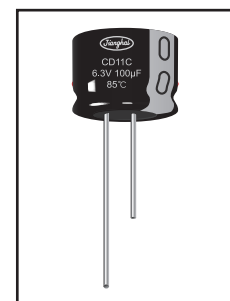
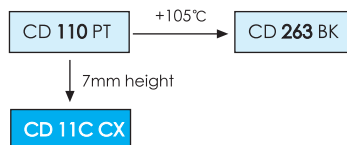


1000h at 85°C

- Load life of 1000 hours at 85°C
- 7mm L standard products
- VTR, video cameras, car radios, micro cassette tape recorder, etc.

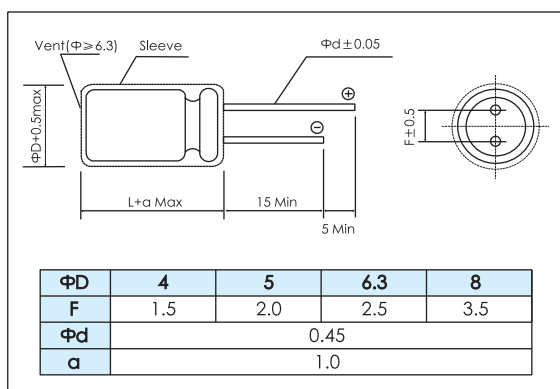


Items	Characteristics									
Operating Temperature Range (°C)	-40 ~ +85									
Capacitance Tolerance (20°C, 120Hz)	± 20%									
Leakage Current (µA)	After 2 minutes at 20°C Application of rated voltage, leakage current is not more than 0.01CV or 3, whichever is greater. C: Nominal Capacitance (µF) V: Rated Voltage (V)									
Dissipation Factor (20°C, 120Hz)	Rated Voltage (V)	4	6.3	10	16	25	35	50	63	100
	Tan δ (max)	0.35	0.24	0.20	0.16	0.14	0.12	0.10	0.08	0.08
Stability at Low Temperature (Impedance Ratio at 120Hz)	Rated Voltage (V)	4	6.3	10	16	25	35	50	63	100
	Z _{-25°C} / Z _{+20°C}	6	4	3	2					
	Z _{-40°C} / Z _{+20°C}	16	10	8	6	4				

	Useful Life	Load Life	Endurance Test	Shelf Life
Lifetime	2000h	1000h	1500h	500h
Leakage Current	Not more than specified value	Not more than specified value	Not more than specified value	Not more than specified value
Capacitance Change	Within ± 30% of initial value	Within ± 20% of initial value	Within ± 20% of initial value	Within ± 20% of initial value
Dissipation Factor	Not more than 300% of specified value	Not more than 200% of specified value	Not more than 200% of specified value	Not more than 200% of specified value
Condition: Applied Voltage Applied Current Applied Temperature	U _R I _R 85°C	U _R I _R 85°C	U _R I _R = 0 85°C	U _R = 0 I _R = 0 85°C After test: U _R to be applied for 30min >24h before measurement

Dimensions

mm



Frequency Coefficient

Rated Voltage (V)	Frequency			
	50-60Hz	120Hz	1kHz	10k~100kHz
4 ~ 16	0.80	1.0	1.1	1.2
25 ~ 35	0.80	1.0	1.5	1.7
50 ~ 100	0.80	1.0	1.6	1.9

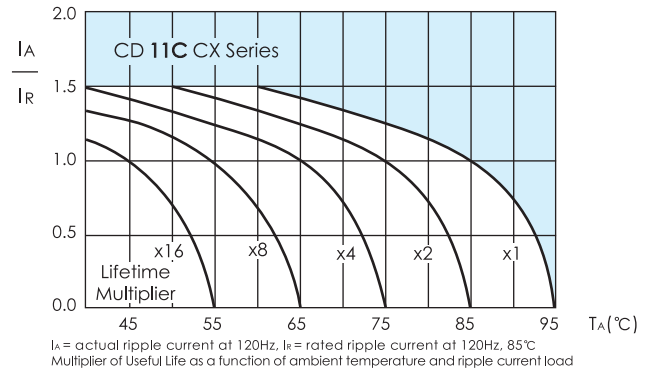
Temperature Coefficient

Temperature (°C)	+70	+85
Coefficient	1.35	1

Ratings for CD 11C CX Series

U_r (Surge Voltage) Code	Rated Capacitance	Max ESR 20°C, 120Hz	Rated Ripple Current 85°C, 120Hz	Size ΦD x L	P/N
(V)	(μF)	(Ω)	(mA _{rms})	(mm)	-
4 (5) OG	33	14.1	35	4×7	ECR0GCX330M□□040007
	47	9.9	40	4×7	ECR0GCX470M□□040007
	100	4.6	70	5×7	ECR0GCX101M□□050007
	220	2.1	120	6.3×7	ECR0GCX221M□□063007
	330	1.4	170	8×7	ECR0GCX331M□□080007
6.3 (7.2) OJ	22	14.5	35	4×7	ECR0JCX220M□□040007
	33	9.7	40	4×7	ECR0JCX330M□□040007
	47	6.8	50	4×7	ECR0JCX470M□□040007
	100	3.2	80	5×7	ECR0JCX101M□□050007
	220	1.4	140	6.3×7	ECR0JCX221M□□063007
	330	1.0	205	8×7	ECR0JCX331M□□080007
10 (13) 1A	22	12.1	35	4×7	ECR1ACX220M□□040007
	33	8.0	45	4×7	ECR1ACX330M□□040007
	47	5.6	60	5×7	ECR1ACX470M□□050007
	100	2.7	108	6.3×7	ECR1ACX101M□□063007
	220	1.2	185	8×7	ECR1ACX221M□□080007
16 (20) 1C	10	21.2	35	4×7	ECR1CCX100M□□040007
	22	9.7	40	4×7	ECR1CCX220M□□040007
	33	6.4	55	5×7	ECR1CCX330M□□050007
	47	4.5	70	5×7	ECR1CCX470M□□050007
	100	2.1	120	6.3×7	ECR1CCX101M□□063007
	220	1.0	205	8×7	ECR1CCX221M□□080007
25 (32) 1E	3.3	56.3	15	4×7	ECR1ECX3R3M□□040007
	4.7	39.5	20	4×7	ECR1ECX4R7M□□040007
	10	18.6	30	4×7	ECR1ECX100M□□040007
	22	8.4	50	5×7	ECR1ECX220M□□050007
	33	5.6	70	6.3×7	ECR1ECX330M□□063007
	47	4.0	85	6.3×7	ECR1ECX470M□□063007
	100	1.9	145	8×7	ECR1ECX101M□□080007
	3.3	48.3	15	4×7	ECR1VCX3R3M□□040007
35 (44) 1V	4.7	33.9	20	4×7	ECR1VCX4R7M□□040007
	10	15.9	30	4×7	ECR1VCX100M□□040007
	22	7.2	55	5×7	ECR1VCX220M□□050007
	33	4.8	75	6.3×7	ECR1VCX330M□□063007
	47	3.4	110	8×7	ECR1VCX470M□□080007
	0.1	1327.0	4	4×7	ECR1HCX0R1M□□040007
50 (63) 1H	0.22	603.2	5	4×7	ECR1HCXR22M□□040007
	0.33	402.1	7	4×7	ECR1HCXR33M□□040007
	0.47	282.3	8	4×7	ECR1HCXR47M□□040007
	1	132.7	10	4×7	ECR1HCX010M□□040007
	2.2	60.3	15	4×7	ECR1HCX2R2M□□040007
	3.3	40.2	20	4×7	ECR1HCX3R3M□□040007
	4.7	28.2	24	4×7	ECR1HCX4R7M□□040007
	10	13.3	40	5×7	ECR1HCX100M□□050007
	22	6.0	70	6.3×7	ECR1HCX220M□□063007
	33	4.0	100	8×7	ECR1HCX330M□□080007
	63 (79) 1J	0.1	1061.6	4	4×7
0.22		482.5	6	4×7	ECR1JCXR22M□□040007
0.33		321.7	7	4×7	ECR1JCXR33M□□040007
0.47		225.9	8	4×7	ECR1JCXR47M□□040007
1		106.2	10	4×7	ECR1JCX010M□□040007
2.2		48.3	15	4×7	ECR1JCX2R2M□□040007
3.3		32.2	23	4×7	ECR1JCX3R3M□□040007
4.7		22.6	30	5×7	ECR1JCX4R7M□□050007
10		10.6	50	6.3×7	ECR1JCX100M□□063007
100 (125) 2A		1	106.2	12	4×7
	2.2	48.3	20	5×7	ECR2ACX2R2M□□050007
	3.3	32.2	30	6.3×7	ECR2ACX3R3M□□063007
	4.7	22.6	35	6.3×7	ECR2ACX4R7M□□063007

Lifetime Diagram



Customer products are available on request.