

## 代码编制规则 Part Number

1	2	3	4	5	6	7	8	9	10	11	12	13	14	15	16	17	18	19	20
F	C	S	3	B	A	D	2	2	4	K	B	E	7	1	5	0	0	B	G
电容器类型 Capacitor Type	产品外形 Product Shape	额定电压代码 Rated Voltage Code	系列代码 Series Code		容量代码 Capacitance Code	容量偏差 Capacitance Tolerance	引线类型 Pin Style	外壳尺寸代码* Dimension Code	引线间距 Pitch P1	引线间距 Pitch P2	引线直径 Lead diameter	高温高湿型 High Temperature High Humidity Loading							
FC=Film Capacitor	Square=S	305=3B	CBB312H=AD		0.22=224	± 5%=J	4Pin 5mm=A	18*13.5*7.5=E7	37.5=37	0=00	0.6=A	G							
						± 10%=K	2Pin 5mm=B		52.5=52	20.3=20	0.8=B								
						± 20%=M	4pin 4mm=S		7.5=7		1.0=C								
							2pin 8.2mm=E		10=10		1.2=D								
							2pin 9.2mm=D		12.5=12		0.5=E								
							2Pin 长引线=C		15=15										
							2pin 3.2mm=V		22.5=22										
							2pin 3.5mm=U		27.5=27										
							2pin 4.5mm=T												
							2pin 10mm=Z												
							2pin 4mm=F												
							2pin 直编=G												

## Features

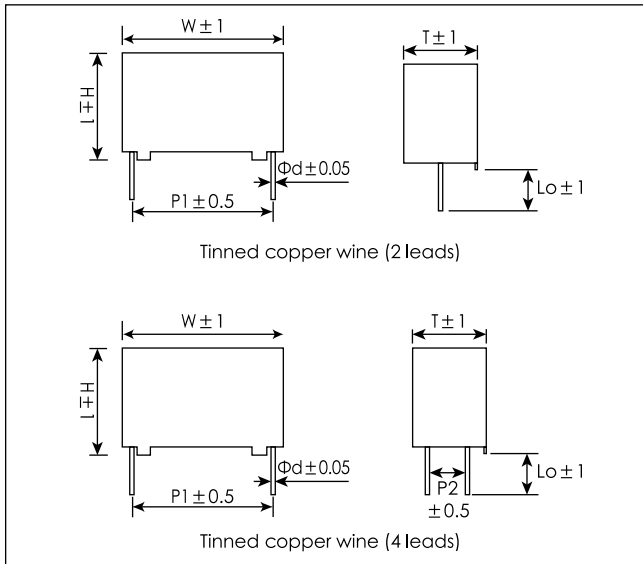
- Self-healing properties
- High moisture resistance.
- Overvoltage stress withstanding.
- Flame-retardant plastic case and epoxy resin.

## 特点

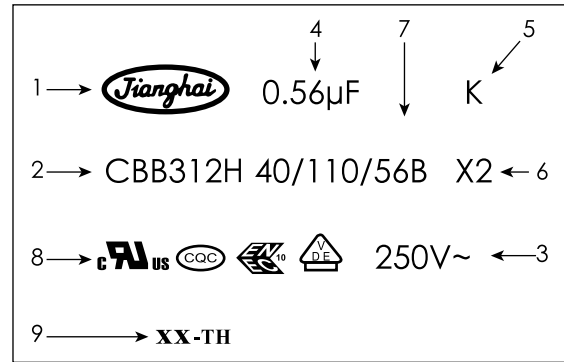
- 自愈特性
- 耐湿强度高
- 能承受过压冲击
- 阻燃胶壳和环氧树脂

## 外形图 Dimensions

Unit: mm



## 标识 Marking



NO.	项目 Item
1	商标 Brand
2	产品系列 Products series
3	额定电压 Rated voltage
4	容量 Capacitance
5	容量偏差 Tolerance
6	电容级别 Capacitor class
7	气候类别 Climatic category
8	安全认证 Approval brands
9	日期代码 Date code

## Approvals:

Mark	structure	File no
	UL / CUL	E483922
	VDE	40044989
	ENEC	40044989
	CQC	CQC17001178020

## 性能特性 Specifications

项目 Item	特性 Characteristics
引用标准 Reference Standard	GB/T 14472 (IEC 60384-14)
工作温度范围 Operating Temperature Range	-40°C~+110°C
电容量范围 Capacitance Range	0.0047μF~46.0μF
电容量偏差 Capacitance Tolerance	± 10% (K), ± 20% (M)
额定电压U <sub>R</sub> Rated Voltage	250V <sub>AC</sub> , 275V <sub>AC</sub> , 305V <sub>AC</sub> (50Hz/60Hz)
损耗 Dissipation Factor	0.0047μF≤C<1.0μF : ≤0.1%(1KHz, 25°C) 1.0μF≤C<10μF : ≤0.2%(1KHz, 25°C) 10μF≤C<45μF : ≤0.3%(1KHz, 25°C)
绝缘电阻IR Insulation Resistance	≥ 15000MΩ, for C≤0.33μF, ≥ 5000 MΩ*μF/C, for C>0.33μF
耐压强度 Voltage Strength	1312V <sub>DC</sub> for 60 sec, or 2000 V <sub>DC</sub> for 2 sec
高温高湿测试 High Temperature High Humidity Loading	Temperature : 85°C ± 2°C; Humidity : 85% ± 2% Loading Voltage: 240V <sub>AC</sub> (50Hz/60Hz) ; Duration: 1000 hours Capacitance change(ΔC/C): 10%

## 规格标准 Standard Ratings

U <sub>R</sub> (V <sub>AC</sub> )	C <sub>R</sub> (μF)	P/N	W (mm)	H (mm)	T (mm)	P1 (mm)	d (mm)
275 305	0.01	FCS3BAD103**C41000AG	13	11	5	10	0.6
	0.022	FCS3BAD223**C41000AG	13	11	5	10	0.6
	0.033	FCS3BAD333**C41000AG	13	11	5	10	0.6
	0.047	FCS3BAD473**C51000AG	13	12	6	10	0.6
	0.068	FCS3BAD683**C51000AG	13	12	6	10	0.6
	0.082	FCS3BAD823**C51000AG	13	12	6	10	0.6
	0.1	FCS3BAD104**C51000AG	13	12	6	10	0.6
	0.15	FCS3BAD154**C91000AG	13	14	8	10	0.6
	0.047	FCS3BAD473**E51500AG	18	12	6	15	0.6
	0.068	FCS3BAD683**E51500AG	18	12	6	15	0.6
	0.082	FCS3BAD823**E51500AG	18	12	6	15	0.6
	0.1	FCS3BAD104**E51500AG	18	12	6	15	0.6
	0.15	FCS3BAD154**E51500AG	18	12	6	15	0.6
	0.15	FCS3BAD154**E91500BG	18	13	7	15	0.8
	0.22	FCS3BAD224**EB1500BG	18	14	8	15	0.8
	0.27	FCS3BAD274**E81500BG	18	14.5	8.5	15	0.8
	0.33	FCS3BAD334**EC1500BG	18	16	10	15	0.8
	0.47	FCS3BAD474**EG1500BG	18	19	11	15	0.8
	0.56	FCS3BAD564**EG1500BG	18	19	11	15	0.8
	0.68	FCS3BAD684**EI1500BG	18	22	12.5	15	0.8
	0.82	FCS3BAD824**EI1500BG	18	22	12.5	15	0.8
	0.22	FCS3BAD224**B22200BG	26	16.5	7	22.5	0.8
	0.27	FCS3BAD374**B22200BG	26	16.5	7	22.5	0.8
	0.33	FCS3BAD334**B32200BG	26	17	8.5	22.5	0.8
	0.47	FCS3BAD474**B42200BG	26	19	10	22.5	0.8
	0.56	FCS3BAD564**B42200BG	26	19	10	22.5	0.8
	0.68	FCS3BAD684**B52200BG	26	20	11	22.5	0.8
	0.82	FCS3BAD824**B52200BG	26	20	11	22.5	0.8

U <sub>R</sub> (V <sub>AC</sub> )	C <sub>R</sub> (μF)	P/N	W (mm)	H (mm)	T (mm)	P1 (mm)	d (mm)
275 305	1.0	FCS3BAD105**B72200BG	26	22	12	22.5	0.8
	1.2	FCS3BAD125**B62200BG	26	23	13	22.5	0.8
	1.5	FCS3BAD155**B82200BG	26	24	14	22.5	0.8
	1.5	FCS3BAD155**B92200BG	26	25	15	22.5	0.8
	1.0	FCS3BAD105**42700BG	32	20	11	27.5	0.8
	1.2	FCS3BAD125**I72700BG	32	22	13	27.5	0.8
	1.5	FCS3BAD155**82700BG	32	24.5	13	27.5	0.8
	2.2	FCS3BAD225**IC2700BG	32	28	14	27.5	0.8
	3.3	FCS3BAD335**F2700BG	32	33	18	27.5	0.8
	4.7	FCS3BAD475**II2700BG	32	37	22	27.5	0.8
	4.7	FCS3BAD475**F53700CG	42.5	32	19	37.5	1.0
	6.8	FCS3BAD685**F93700CG	42.5	44	24	37.5	1.0
	10.0	FCS3BAD106**FF3700CG	42.5	45	30	37.5	1.0
	12.0	FCS3BAD126**HH5200DG	57.5	45	30	52.5	1.2
	15.0	FCS3BAD156**FF3700CG	42.5	45	30	37.5	1.0
	15.0	FCS3BAD156**HH5200DG	57.5	45	30	52.5	1.2
	18.0	FCS3BAD186**HH5200DG	57.5	45	30	52.5	1.2
	20.0	FCS3BAD206**HH5200DG	57.5	45	30	52.5	1.2
	22.0	FCS3BAD226**HH5200DG	57.5	45	30	52.5	1.2
	25.0	FCS3BAD256**HH5200DG	57.5	45	30	52.5	1.2
	30.0	FCS3BAD306**HH5200DG	57.5	45	30	52.5	1.2
	30.0	FCS3BAD306**HL5200DG	57.5	50	35	52.5	1.2
	33.0	FCS3BAD336**HL5200DG	57.5	50	35	52.5	1.2
	39.0	FCS3BAD396**HL5200DG	57.5	50	35	52.5	1.2
	40.0	FCS3BAD406**HL5200DG	57.5	50	35	52.5	1.2
	45.0	FCS3BAD456**HA5200DG	57.5	53	50	52.5	1.2
	45.0	FCS3BAD456**H25200DG	57.5	60	45	52.5	1.2

可根据客户要求定制。Customer products are available on request.